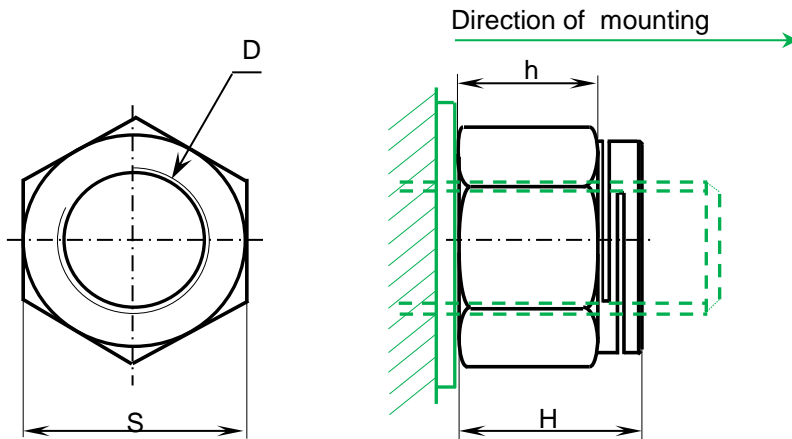


DOUBLE SLOTTED LOCKING NUTS

DAH

EDITION JULY 2011

PRINCIPLE : Selflocking effect obtained by axial deformation of the upper part of the thread



D	pitch	S	H	h	Designation	
			MAXI			
M4	0,70	7	5,6	3	DAH M4X070	**
M5	0,80	8	6,5	3,7	DAH M5X080	**
M6	1,00	10	8	4,5	DAH M6X100	**
M8	1,25	13	10	5,5	DAH M8X125	**
M10	1,50	16	12,5	6,5	DAH M10X150	**
M12	1,75	18	15	8,5	DAH M12X175	**
M14	2,00	21	17,5	10	DAH M14X200	**
M16	2,00	24	18,7	12	DAH M16X200	**
M18	2,50	27	22	14	DAH M18X250	**
M20	2,50	30	24	16	DAH M20X250	**
M22	2,50	34	27	19	DAH M22X250	**
M24	3,00	36	29,5	19	DAH M24X300	**
M27	3,00	41	33	22	DAH M27X300	**

Material codes	
STEELS	CL8 CL10
A2/70	A2
STAINLESS STEEL A4/80	A4

Certified "SNCF"
CF 00-040 FP n° 6
ST 001-02

Nut type _____
 \varnothing nominal + pitch _____

Material code _____

DIMENSIONS : According to NFE 25 411

THREAD : Profile ISO - According to ISO 965-2 Quality 6H

MECHANICAL CHARACTERISTICS : According to NF EN ISO 2320 NFE 25035
 Control on "ERICHSEN" test bench

STANDARD PROTECTIONS Steel nuts : zinc plated chrome 6 free Stainless steel nuts : Anti seizing protection SITAL BHT

Please consult us for: other materials - other protections - specials.