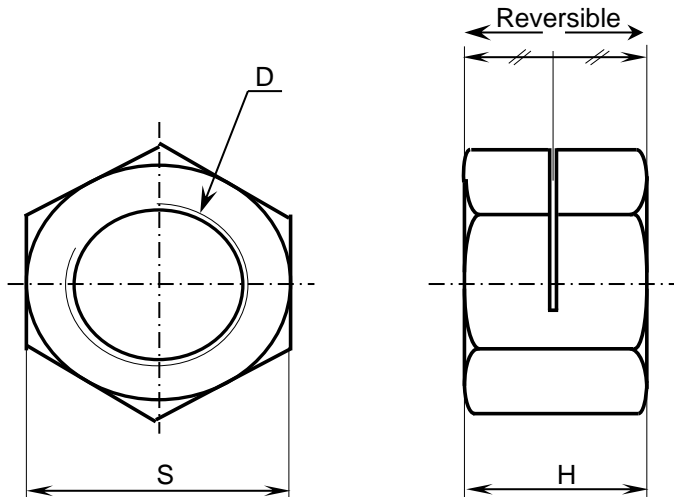


SINGLE SLOTTED LOCKING NUTS

ESN H100

EDITION JULY 2011

PRINCIPLE : Selflocking effect obtained by axial deformation of the upper part of the thread



D	Pitch	S	H	Designation
M4	0,70	7	4	ESN H100 M4X070 **
M5	0,80	8	5	ESN H100 M5X080 **
M6	1,00	10	6	ESN H100 M6X100 **
M8	1,25	13	8	ESN H100 M8X125 **
M10	1,50	16	10	ESN H100 M10X150 **
M12	1,75	18	12	ESN H100 M12X175 **
M14	2,00	21	14	ESN H100 M14X200 **
M16	2,00	24	16	ESN H100 M16X200 **
M18	2,50	27	18	ESN H100 M18X250 **
M20	2,50	30	20	ESN H100 M20X250 **
M22	2,50	34	22	ESN H100 M22X250 **
M24	3,00	36	24	ESN H100 M24X300 **
M27	3,00	41	27	ESN H100 M27X300 **

Material codes	
CL.6	R60
CL.8	R80
Stainless steel A2	A2
Stainless steel A4	A4
UZ40MNA	BL3
AU4Pb	DM

Nut type
 \varnothing nominal + pitch

Material codes

DIMENSIONS : According to NFE 25 411

THREAD : Profile ISO - according to ISO 965-2 Quality 6H

MECHANICAL CHARACTERISTICS : According to NF EN ISO 2320 NFE 25035
 Control on "ERICHSEN" test bench

STANDARD PROTECTIONS Steel nuts : zinc plated chrome 6 free
 Stainless steel nuts : Anti seizing protection SITAL BHT

Please consult us for: other materials - other protections - specials.